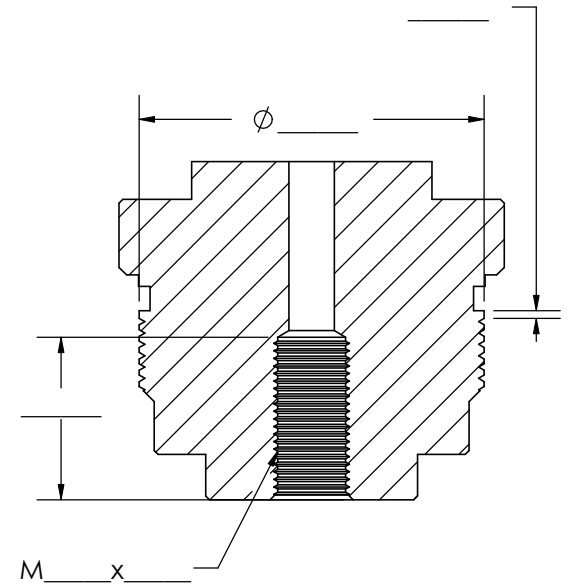
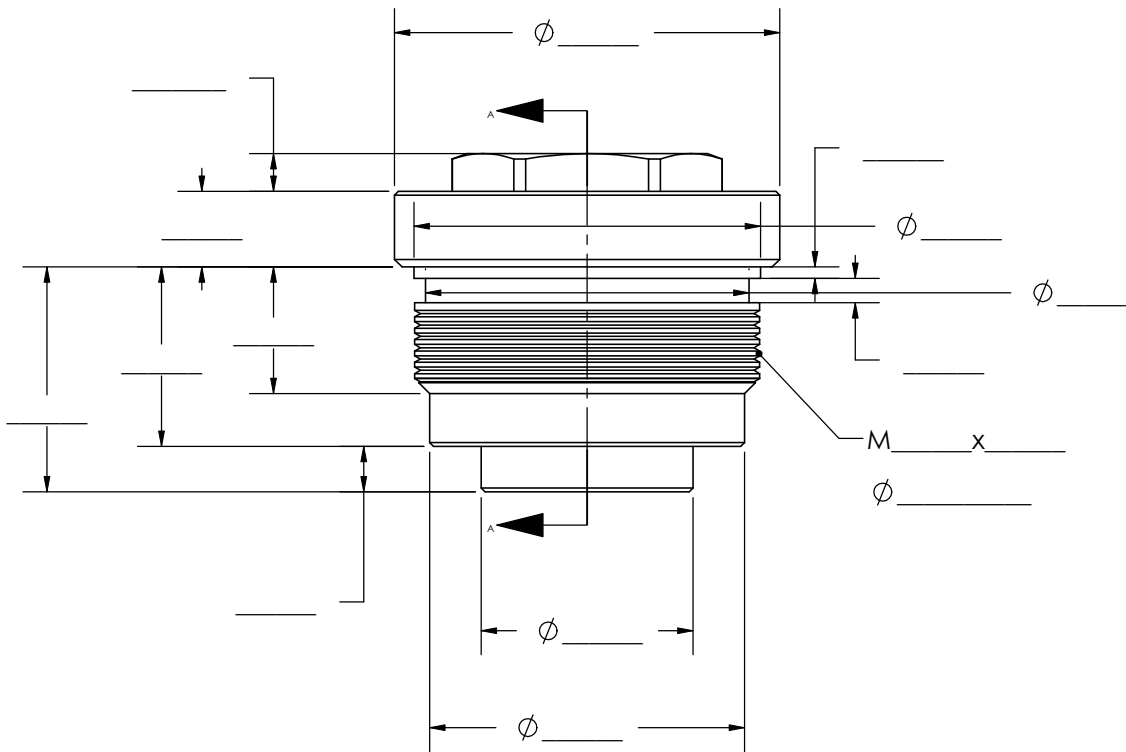
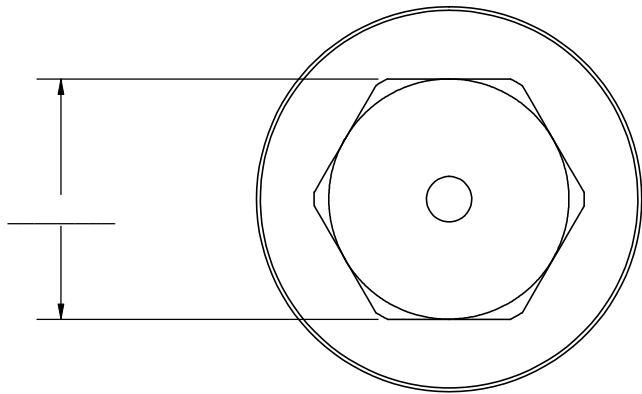


O-RING _____ cs x _____ ID _____ INSTALLED _____ STEP ID

ϕ _____ / _____ FORK TUBE (CHROME) OD/ID

ϕ _____ / _____ FORK TUBE (OUTER) OD/ID

RSU / USD



FPFC CO FORM.slddrw 110111

RACE TECH

Info contained in this drawing is the sole property of Race Tech.

Model

FORK BRAND

DATA BY/ DATE